

L A **Z** B O Y[®]

Designed to be comfortable,
and built to stay that way.

Live life Comfortably.[®]

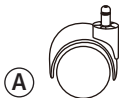
**Baldwyn Series
Task Chair
Assembly Instructions**

MODEL LZB-48825

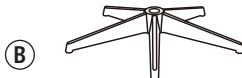


This chair can
support up to:
275 lbs

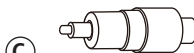
PARTS



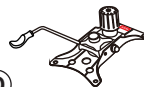
A
Casters
Quantity: 5



B
Star Base
Quantity: 1



C
Gas Lift with Telescoping Cover
Quantity: 1



D
Seat Plate
Quantity: 1



E1
Left Arm
Quantity: 1



E2
Right Arm
Quantity: 1



F
Seat Cushion
Quantity: 1



G
Back Cushion
Quantity: 1



H
1" Big Screws
Quantity: 4



I
2-3/4" Small Screws with Washers
Quantity: 4



J
1-3/4" Small Screws with Washers
Quantity: 2



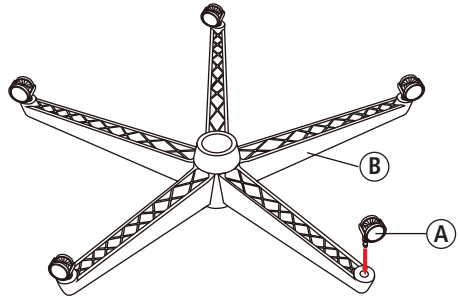
K
1-1/4" Big Screws
Quantity: 4



L
Allen Key
Quantity: 1

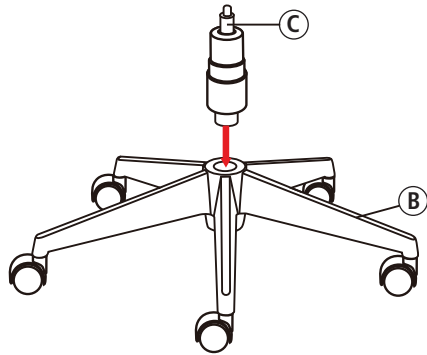
Step 1

Place the Star Base (B) upside down and insert 5 Casters (A) into the holes on the Star Base (B).



Step 2

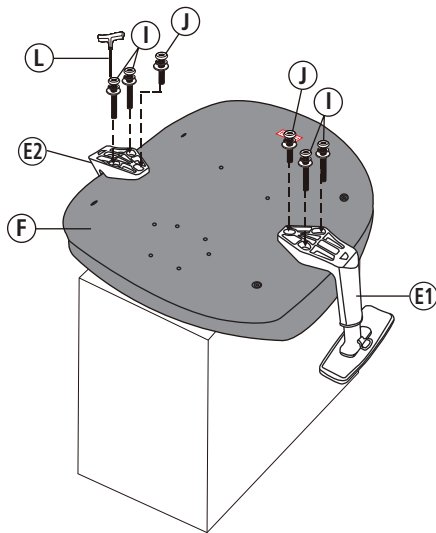
Turn the Star Base (B) over and insert the Gas Lift with Telescoping Cover (C) through the center hole on top of Star Base (B).



Step 3

Attach the Arms (E1 & E2) to the bottom of the Seat Cushion (F) by using 1-3/4" Small Screws with Washers (J) for the inner holes of the arms and 2-3/4" Small Screws with Washers (I) for the outer holes of the arms.

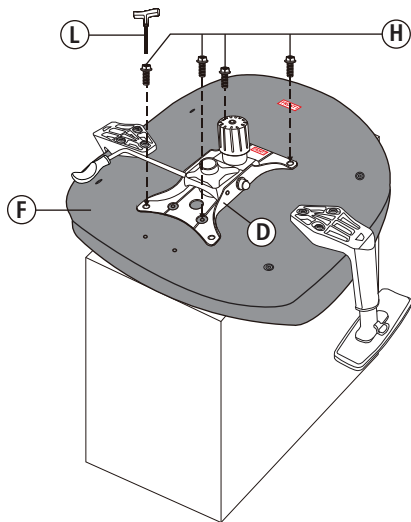
*Note: Align the arms so the FRONT on the arms matches the FRONT label on the bottom of the seat cushion. Tighten the screws completely.



Step 4

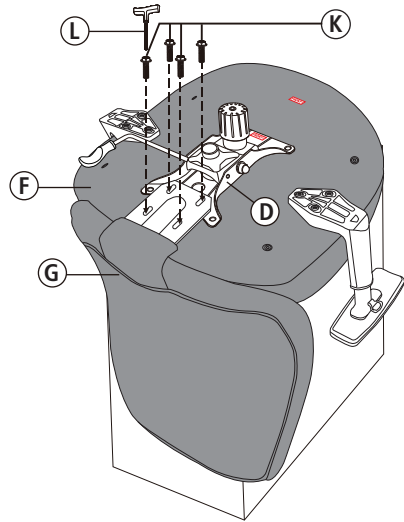
Attach Seat Plate (D) to the bottom of the Seat Cushion (F) (with the front of the seat plate facing the front of seat cushion). Attach by using 1" Big Screws (H) for the holes of the Seat Plate (D) and tighten screws.

*Note: Tighten the screws completely.



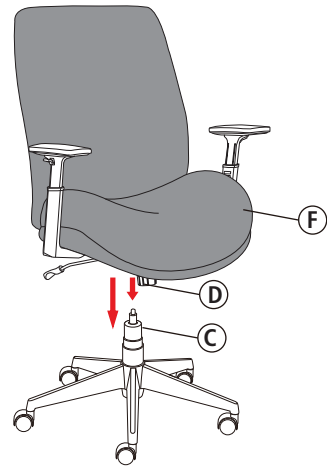
Step 5

Attach the Back Cushion (G) to the Seat Cushion (F) by positioning the back support plate over the Seat Plate (D) with 1-1/4" Big Screws (K). Tighten the screws.



Step 6

Place the Seat Cushion with Seat Plate (D) on top of Gas Lift with Telescoping Cover (C) and press down until fully engaged.

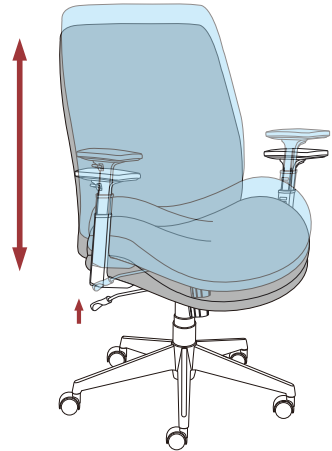


Operating Instructions

Function Instruction - 1

To Adjust Seat Height:

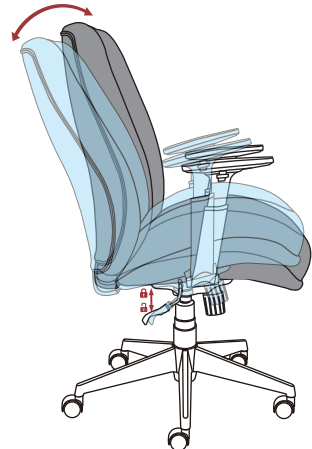
While seated, lean forward and reach under the right side of the chair to find the handle. Lift the handle and raise your body up slightly to allow the chair to rise to the desired height. Once desired height is reached, release handle to lock chair at desired height. To lower the seat, lift the handle while seated. The chair will descend until the handle is released or the chair reaches the bottom position.



Function Instruction - 2

To Operate Tilt Lockout:

While seated, reach under the right side of the chair to find the height adjustment handle. Pull the handle all the way out (away from the seat plate) to allow the chair to tilt backwards. To lock the chair in the upright or vertical position, sit upright and push the handle in towards the seat plate.



Function Instruction - 3

To Adjust Tension On The Tilt:

Reach under the front center of the chair, grasp the round knob (R) and turn it counter- clockwise to stiffen the tilt mechanism for a heavier user. Turn the knob (R) clockwise to loosen the tilt mechanism for a lighter user. Rotate the knob (R) until the desired resistance is reached.



Function Instruction - 4

To Adjust Arm Height:

Pull up the buttons and hold to allow the arms to move up and down freely and then release the button once the desired height is reached.



Function Instruction - 5

360° Swivel:
360° seat swivel.



L A **Z** B O Y[®]

Live life Comfortably.[®]



LA-Z-BOY is a trademark of La-Z-Boy Incorporated and is used under license to LF Products Pte Ltd.